



By *drive*[™]

The Bathlift people

OPERATING INSTRUCTIONS

AQUAJoy SAVER

AND

AQUAJoy JUNIOR SAVER

SUITABLE FOR ADULTS & CHILDREN

**First point of contact is always as follows unless supplied
by a Local Authority or Dealer.**

AQUAJoy by DRIVE
CONSETT BUSINESS PARK
CONSETT
COUNTY DURHAM
DH8 6BN

TEL: (0044) 01207 501555

FAX: (0044) 01207 599789

Email: info@aqua-joy.com

www.aqua-joy.com

QUICK CHECK LIST

CHARGING YOUR HANDCONTROL

Before you first use your Bathlift, please charge your battery handcontrol for 12 hours. Please continue to charge your battery hand control after every bath or for at least 12 hours per week. You cannot overcharge your battery hand control. If the battery hand control indicator light flashes red it means you do not have sufficient charge to use your Bathlift. Please recharge immediately. The battery hand control indicator light will turn amber when charging is in progress. The charger indicator light will turn red when charging is in progress. Please charge your battery hand control on a hard, flat surface at normal room temperature and do not cover.

SIDEFLAP DIVERTERS

If you have handles on your bath, please ensure that you attach the sideflap diverters (plastic strips packed with your Bathlift) to your bath handles. Failure to do this may cause obstruction to the mechanism and affect your warranty.

SUCTION CUPS

Please ensure that your Bathlift suction feet are securely sticking to the bottom of your bath. If you have dimples or ripples on your bath, you may need to purchase additional middle suction feet to ensure safe and secure adhesion to the bath. Please check that your suction feet are sticking to the bottom of your bath every time before you have a bath.

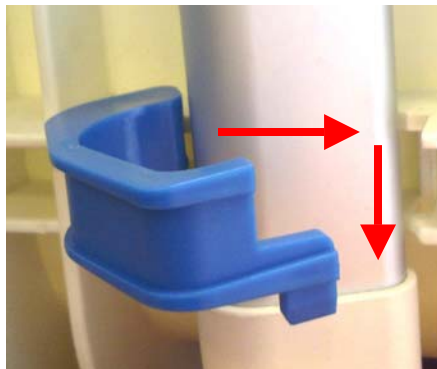
ACTUATOR

Please ensure that the Actuator on the back of the bathlift is held securely in place by checking that the top blue latch is locked closed and the bottom bracket is closed, pushed down into place and the pin is in place (see images below).

Top Latch Closed: Push to close and lock the actuator in place



Bottom Bracket Closed: Close and Push down to lock the actuator in place



Ensure that the pin is securely in place.



Dear Customer

Thank you for purchasing your AQUAJoy SAVER Bathlift.

Please read the operating instructions carefully before using your bathlift.
Please follow all instructions, particularly the safety instructions at all times.

The AQUAJoy SAVER has been designed as a light weight, battery powered bathlift, to help the end user bathe in complete safety and comfort. The AQUAJoy SAVER can be used in the home, in multi user environments and by healthcare professionals. If you are unable to take a bath on your own, use the Bathlift only under supervision.

The AQUAJoy SAVER comes complete with a three year warranty on the frame and 1 year on the battery hand control, charger and accessories. The product has been tested to last up to 10,000 cycles if used and maintained correctly for the environment for which it has been designed.

We hope the bathlift makes a difference to your life and that having a bath is now much easier and safer for you.

Safety precautions

- Please ensure that you read and fully understand these instructions before operating the bathlift.
- If you are unable to take a bath on your own, use the bathlift only under supervision.
- The Aquajoy Saver must only be used to assist one person getting in and out of the bath at a time, do not use it for any other means.
- Before taking a bath, please carry out a trial run to familiarise yourself with how the bathlift operates.
- Please remove the transit clips before use.
- Always check the water temperature before bathing.
- Never recharge the battery in the bathroom or outdoors.
- Always ensure the hand control retention clip is always connected to the actuator during use.
- Always ensure the blue actuator latch & blue bracket are always fully engaged / pressed in place / pin in place securely before use.
- Always make sure the suction cups are firmly stuck to the bath before use.
- Always ensure that the transfer flaps are clear of any obstructions when using your bathlift. Always use the Side Flap Diverters provided if your bath has handles on. Failure to do this could damage the bathlift and will affect your warranty.
- Always check there are no obstructions around or underneath the bathlift, including your hands and legs.
- The use of excessive amounts of bathing oils, emollients or salts will require the bathlift to be cleaned more frequently

Standard Components

1 x AquaJoy Saver seat section

1 x Aquajoy Saver base section

1 x Actuator (**Attached to Seat Section**)

1 x Hand control

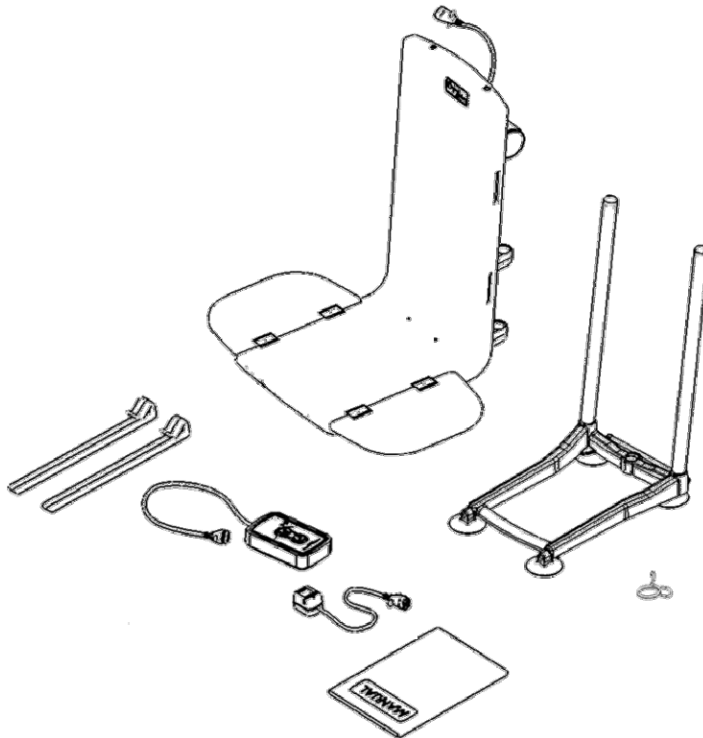
1 x Charger

1 x User Manual.

1 x Transit Clip (**REMOVE BEFORE USE!!!**)

2 x Side flap diverters (in with user manual)

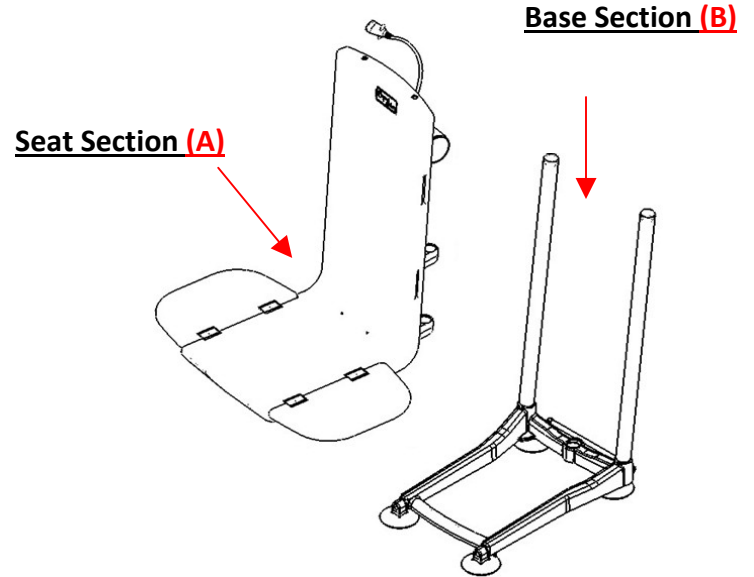
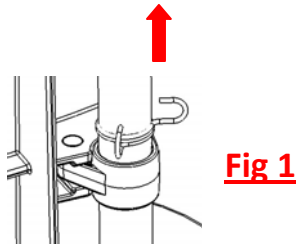
- **Unpacking** – Simply remove the bathlift parts from the packaging and check them to make sure that no damage has been caused during transit.
- **Hand Control** – Please place this on charge for **12 hours** before using your Aquajoy Saver Bathlift for the first time. Connect the hand control to the battery charger and plug the charger into a mains power supply - **OUTSIDE THE BATHROOM** and allow the battery to charge for a minimum of **12 hours**. We recommend you charge your battery hand control continuously when not in use. You cannot overcharge your battery hand control.



How to install your AquaJoy SAVER Bathlift

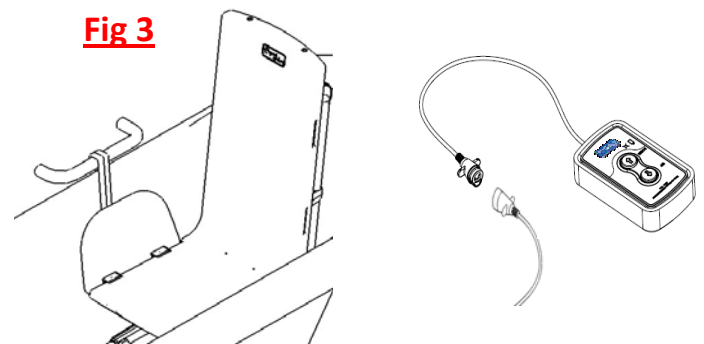
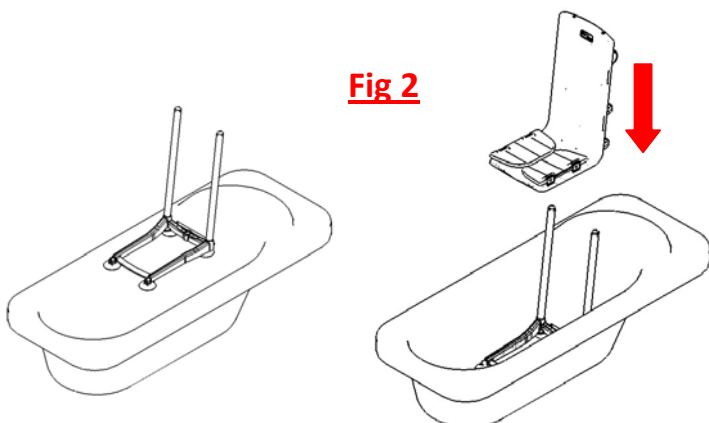
The AquaJoy Saver can be easily installed in **two** sections:

- Seat section including actuator **(A)**
- Base section **(B)**

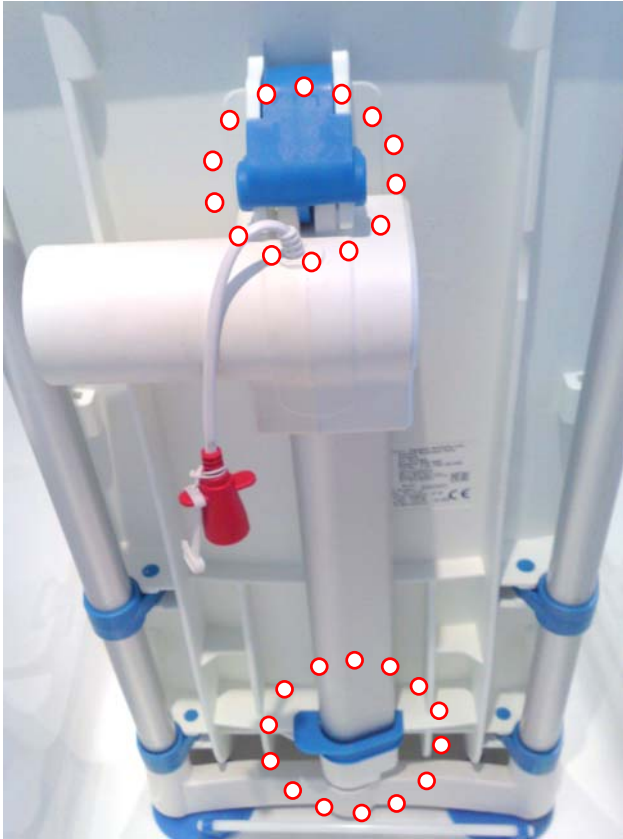


How to install your AquaJoy Saver Bathlift

- Please ensure your bath is clean and dry before installing your bathlift.
- Remove transit clip (**Fig 1** above)
- Once the bathlift is removed from the box / packaging, remove / lift the seat section from the base section.
- Moisten the suction cups and place the base section on the flat part towards the back of your bath.
- Push down on the base unit to ensure the suction cups have a good hold (**Fig 2**).
- **WARNING:** Very rarely, the suction cups may not adhere properly on textured areas of a bath. If this occurs, extra middle suction cups should be added – ask your supplier for further details.
- Fold the side flaps onto the seat and slide the seat section down onto the base section in the bath.
- **ALWAYS ENSURE THE BLUE ACTUATOR LATCH, BLUE BRACKET ARE ALWAYS FULLY ENGAGED / PRESSED IN PLACE / PIN IN PLACE BEFORE USE.**
- Please use the Side Flap Diverters provided if your bath has handles on. They are designed to prevent the side flaps from being caught under any handles. Simply push the Diverters over the handles on your bath (**Fig 3**).
- Plug your charged hand control into the actuator connector. The bathlift is now ready for use.



PLEASE PAY SPECIAL ATTENTION
TO THE FOLLOWING:

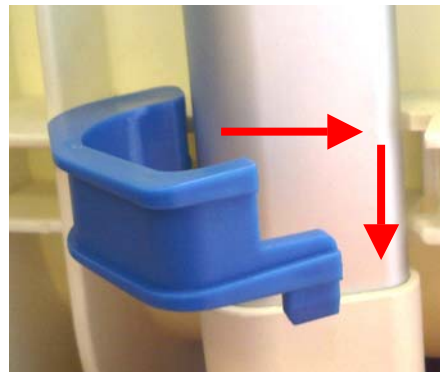


PLEASE ENSURE THAT BOTH
THE ACTUATOR LATCH AND
THE ACTUATOR BRACKET
ARE FULLY ENGAGED
BEFORE OPERATION AND
THE PIN IS SECURELY IN
PLACE ON THE LOWER
BRACKET.

Top Latch Closed:
Push to close and
lock the actuator
in place.

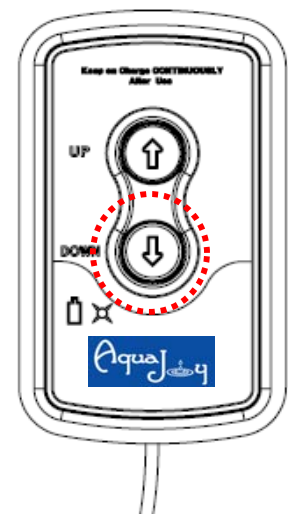
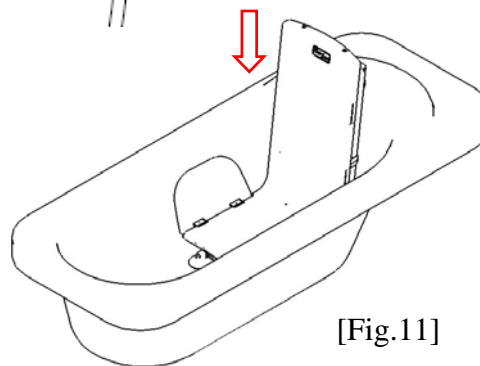
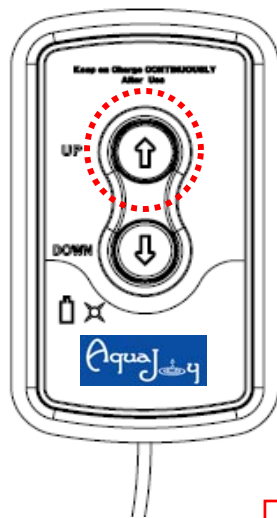
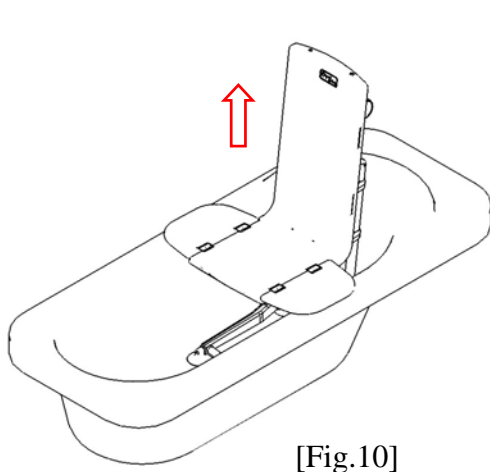
Bottom Bracket
Closed: Close and Push
down to lock the
actuator in place.

Also ensure that
the pin is
pushed in place
securely.



How to bathe with your Aquajoy Saver

- After installing your bathlift and connecting the hand control, simply press and hold the UP button to raise the seat (Fig 10).
- Raise the seat until it is level with the top of the bath, then take your finger off the UP button.
- **NOTE:** Make sure that the bathlift side flap is level with the edge of the bath (fig.10) before transferring.
- Sit on the bathlift flap and slide/shuffle over to the middle of the seat and lift one leg at a time over the side of the bath. Move / turn your body facing forward so that you are sitting in the correct position for comfortable bathing.
- Press and hold the DOWN button to lower yourself to the required position. Taking your finger off the button at any point will stop the bathlift from moving (Fig 11)
- When you have finished bathing simply press and hold the UP button to raise the bathlift back up to the top of the bath (Fig.10)
- You can now transfer off the lift using the side flap for support.
NOTE: Taking your finger off the 'Up' or 'Down' buttons at any time will stop the bathlift seat moving.



How to remove your AquaJoy SAVER Bathlift

- Empty the water from the bath.
- Press and hold the Down button to lower the bathlift to its lowest position (**Fig 4**)
- DISCONNECT THE HAND CONTROL!
- Fold the side flaps onto the seat (**Fig 5**)
- Lift the seat section up, continue to lift the bathlift seat section until it is clear of the bathlift base. (**Fig 6**)
- To remove the base, lift the suction release bar at the back of the bathlift base (**Fig 7**) then tilt the base forward.
- This will release the front suction cups and the base section can be lifted from the bath.

PLEASE NOTE: DO NOT use the suction release handle to lift the bathlift. Once the rear suction cups are released simply lift the bathlift base out of the bath.

PLEASE NOTE: PLEASE ALWAYS ENSURE THE BLUE ACTUATOR LATCH & BLUE BRACKET ARE ALWAYS FULLY ENGAGED / PRESSED IN PLACE / PIN IN PLACE.

Fig 4

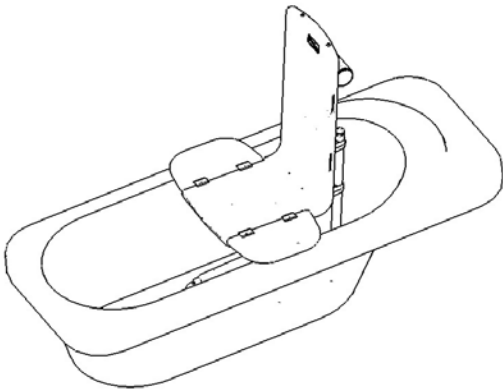


Fig 5

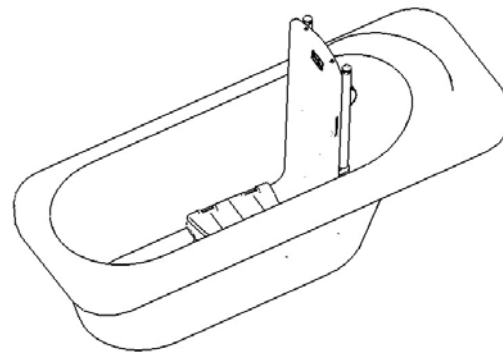


Fig 6

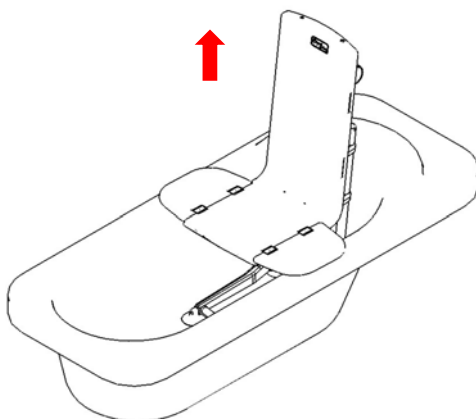
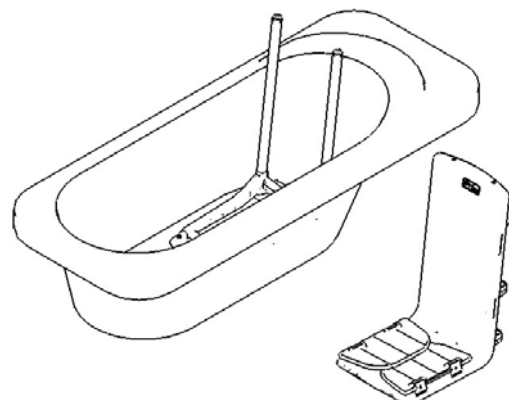


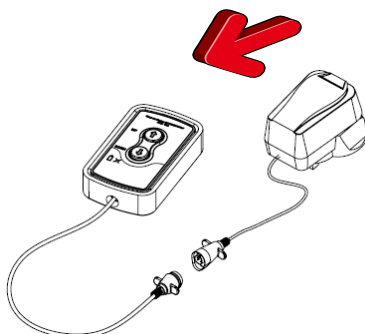
Fig 7



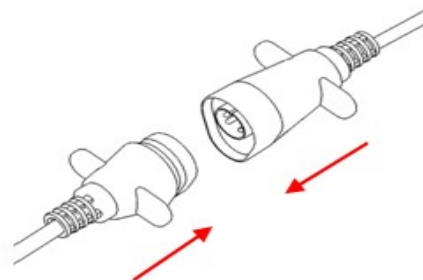
How to charge your Aquajoy Saver Hand Control

- For safety reasons, please ensure that you do not charge your battery hand control in your bathroom.
- Connect the battery hand control cable to the charger cable by matching connections together.
- Insert the charger plug into the mains.
- Please leave your battery hand control on charge for approximately **12 hours** when you first receive your bathlift.
- When charging the hand control the **Amber light** will be seen.
- **When the hand control is not in use on the bath lift, please leave it on charge continuously. You can not overcharge the battery hand control.**
- **Charging the battery hand control continuously uses as little as 0.1 kwh per day using very minimal consumption.**
- When connected to the bathlift there shouldn't be any light on the hand control. If the LED indicator light shows **Red** when connected to the bathlift then you do not have sufficient battery charge. Please recharge your hand control.
- When using the hand control please press the up or down button continuously to raise and lower the bathlift.

Indicator Light Should Remain **AMBER** when the Hand Control is charging



Match the hand control connector and the charger connector together



How to clean your Bathlift

- We recommend that you clean your bathlift on a regular basis.
- The bathlift can be cleaned with any normal nonabrasive household cleaners which are used on your bath.
- If your bathlift has covers, we recommend that you wash your bathlift covers in a washing machine up to a maximum temperature of 60 degrees. We recommend that you wash your cover mats after every two to three baths if possible to avoid any dirt or residue building up.
- Do not tumble dry your covers, hang on a washing line or radiator to dry.
- To clean inside the foam of your battery handcontrol simply remove the two screws at the back of the handcontrol and pull the foam away from the control box. Clean as required and simply replace your battery handcontrol back inside the foam and insert the screws as previous.

NOTE: If using emollients, aqueous creams or oils in your bath, please ensure that you thoroughly rinse/clean away any residue from the base of the bathlift and the suction cups. We also recommend that you wash your covers more often.

Maintenance / Servicing

"Medical Devices must be examined at statutory intervals in accordance with Council Directive 93/42/EEC of 14 June 1993". The AquaJoy SAVER requires minimal maintenance /servicing. Please check that everything is in good working order at regular intervals (at least once every month). The Bathlift actuator is tested to last 10,000 cycles if used and maintained correctly in the environment for which it has been designed. However, in order to maximise the life of the Bathlift and to ensure optimum reliability, performance and safety, AquaJoy by Drive recommends that you replace your bathlift handcontrol, actuator and charger in accordance with your product warranty.

AquaJoy by Drive recommends that your Bathlift is inspected at least once annually by either your supplier or a suitably qualified person who has attended an approved AquaJoy training course. If required, AquaJoy by Drive can provide the above inspection with an annual service contract. Please contact our Customer Services Department for further details (see front page for contact details). There are no user serviceable parts in the AquaJoy Premier Plus Bathlift and repairs or servicing must only be carried out by your supplier or other authorised person who has attended an approved AquaJoy training course.

How to dispose of your Bathlift

- On expiry of service life (10,000 cycles), the bathlift, hand control, charger, accessories and packaging should be disposed of correctly. Individual parts can be disposed of according to the type of material. The Aquajoy Saver does not contain dangerous materials.
- The battery hand control and the actuator should not be disposed of via household waste. They should be disposed of by returning to your supplier, the manufacturer or an authorised disposal point.

Environmental Conditions for Use, Storage, and Transport

Use: An ambient temperature range of 50 F° to 104F° (+10 C° to +40C°).

A relative humidity range of 30% to 75%.

An atmospheric Pressure range of 700hPa to 1060hPa

Storage and Transport:

An ambient temperature range of -31F° to 122F° (-35 C° to 50C°).

A relative humidity range of 10% to 100%.

An atmospheric Pressure range of 300hPa to 1060hPa Less than 30days at 50°C

ROUTINE CHECK LIST

TO CHECK THAT THE FOLLOWING PARTS ARE IN GOOD WORKING ORDER, PLEASE FOLLOW THE PROCEDURES BELOW:-

BATTERY

Attach your battery hand control to your bathlift, press the Up button, the bathlift should go up. Press the Down button and the bathlift should go down. When you are pressing either button, if the indicator light flashes red on the hand control, you need to recharge your battery hand control. An amber light will show on the handcontrol when charging is in progress. If no light appears on the handcontrol, please try a different charger (if available). If the problem continues and still no light appears, please contact your supplier.

CHARGER

Attach your charger to your battery hand control. If the charger has a red light showing and the hand control has an amber light showing, leave the charger in place. If the hand control shows no light, please try a different charger (if available). If the hand control then turns amber, contact your supplier regarding your original charger. If you have no light on your charger, contact your supplier.

MOTOR

Attach your hand control to your bathlift and press the up button to check the upward travel of the bathlift and press the down button to check the downward travel of the bathlift.

If the bathlift will not move up or down, firstly try a different hand control (if available). If the problem still persists, please contact your supplier regarding your bathlift motor. The Amber LED light on the handcontrol will only show when charging is in progress. There will be no light visible when the hand control & actuator is connected & the lift is operated up & down.

SUCTION CUPS

Please ensure that your Bathlift suction feet are sticking securely to the bottom of your bath. If you have dimples or ripples on your bath, you may need to purchase additional middle suction feet to ensure safe and secure adhesion to the bath. Please check that your suction feet are sticking to the bottom of your bath every time before you have a bath and clean away any residue from your suction feet.

OPERATION OF BATHLIFT

Attach your hand control to your bathlift. Press the down button to check the safe downward travel (paying special attention to under the bathlift seat) and press the up button to check the safe upward travel (paying special attention to under the bathlift seat). If there is any obstruction, please remove. If there is any problem, please contact your supplier for further advice. PLEASE ALSO ENSURE THE BATHLIFT IS REGULARLY CLEANED TO ENSURE SAFE OPERATION. The actuator is tested to last 10, 000 cycles if used and maintained correctly or the environment for which it has been designed.

CLEANING – BATHLIFTS & COVERS

To clean the bathlift, simply use a normal household cleaner and a damp cloth.

The AQUAJoy SAVER BATHLIFT can be used with or without covers. The standard covermats can be easily removed and washed in your washing machine up to a maximum temperature of 60°. We recommend that you wash your cover mats after every two to three baths if possible to avoid any dirt or residue building up.

ADVICE & SUPPORT / FAULT FINDING

I have a problem with my bathlift –

Is there an obstruction e.g sideflaps obstructed by bath handles?

Remove the obstruction e.g sideflap diverters on handles are not being used or have become ineffective. Reverse direction of operation to ensure obstructions are cleared.

N.B. If the obstruction remains, the bathlift will fail to operate.

Is your battery hand control fully charged?

Is there a red light showing on your battery hand control when you are pressing the up/down button?

The indicator light on the hand control flashes red to let the user know that they need to recharge it. Please recharge the battery hand control using the supplied charger.

How do I charge my battery hand control?

If already attached to the bathlift, detach the hand control. The hand control is attached to the bathlift by the yellow and red adaptors at the end of the cable. Separate these / pull them apart and the hand control will detach. Now, attach the supplied black charger adaptor to the hand control in the same way and plug the three point plug into a mains socket. Now, turn the power on at the mains.

There should be a red light showing on your charger and an amber light on your handcontrol.

PLEASE NOTE: BEFORE YOU FIRST USE YOUR AQUAJoy SAVER / JUNIOR SAVER BATHLIFT, PLEASE CHARGE YOUR BATTERY HAND CONTROL FOR **TWELVE HOURS**. AFTER YOUR FIRST USE, PLEASE CONTINUE TO CHARGE YOUR BATTERY HAND CONTROL CONTINUOUSLY. IF YOU CANNOT CHARGE YOUR BATTERY HAND CONTROL CONTINUOUSLY FOR ANY REASON, PLEASE ENSURE YOU CHARGE YOUR BATTERY HANDCONTROL FOR AT LEAST 12 HOURS PER WEEK. **IF YOU DO NOT RECHARGE YOUR BATTERY HANDCONTROL IT WILL STOP WORKING**. YOU CANNOT OVERCHARGE YOUR BATTERY HAND CONTROL. IF THE INDICATOR LIGHT FLASHES RED ON YOUR HANDCONTROL IT MEANS YOU DO NOT HAVE SUFFICIENT CHARGE TO USE YOUR BATHLIFT. PLEASE CHARGE YOUR BATTERY HANDCONTROL STRAIGHT AWAY. THE HANDCONTROL INDICATOR LIGHT WILL TURN AMBER WHEN CHARGING IS IN PROGRESS. THE CHARGER INDICATOR LIGHT WILL TURN RED WHEN CHARGING IS IN PROGRESS.

Can I / How do I wash my covermats?

The AQUAJoy SAVER / JUNIOR SAVER can be used with or without covers. The standard covermats can be easily removed and washed in your washing machine up to a maximum temperature of 60°. We recommend that you wash your cover mats after every two to three baths if possible to avoid any dirt or residue building up. The covermats cannot be used in a tumble dryer, please hang them up to dry.

My front two suction feet do not seem to be sticking to the bottom of the bath.

Some baths have dimples or ripples on the base of the bath. These ripples normally appear up to half way up the base of the bath. If your front two suction feet are not sticking securely to the bottom of the bath, please contact your supplier to purchase extra middle suction feet. These are simply screwed into the two holes which are already on the underside of the Bathlift. If you add the two extra middle suction feet, there should be sufficient suction with these middle two feet and the rear two feet. Please always check to ensure your suction feet are sticking to the bottom of the bath before bathing.

Can I use emollients, aqueous creams, oils in the bath with my bathlift?

Yes, however, please ensure that you thoroughly rinse / clean away any residue from the base of the bath and the suction feet. Please check that your suction feet are sticking to the bottom of your bath every time before you have a bath and ensure that all residues are cleaned away after every bath. We also recommend that you wash your covermats more often, ie after every bath if possible.

If I leave my battery hand control on charge will I damage it?

No, charge your battery hand control for 12 hours when you first receive your bathlift. You cannot overcharge your battery hand control. A fully charged battery will provide approximately fifteen full lifts up and down.

There is also a safety mechanism on the lift to ensure it will not go down unless there is enough charge to raise it back up. This will ensure you will not become stuck at the bottom of the bath.

NB: Please do not worry if your battery charger becomes warm, this is normal.

If I do not regularly charge my battery hand control, what will happen?

In order to maximise the life of the battery handcontrol, you must charge it regularly. **If you do not charge your battery hand control regularly and as per the instructions, the battery handcontrol will stop working** (charge for twelve hours when you receive the Bathlift, then charge continuously if possible. If you can't charge the battery hand control continuously for any reason please ensure you charge the battery handcontrol for at least 12 hours per week).

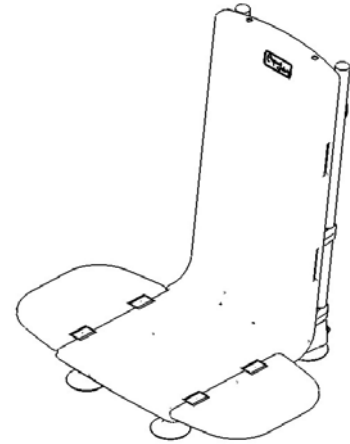
How do I clean my hand control?

To clean inside the foam of the hand control simply remove the two screws at the back of the hand control and pull the foam away from the control box. Clean as required and simply replace the battery hand control back inside the foam and insert the screws as previous.

Technical Data

Specifications for AQUAJoy SAVER

Max.user weight:	160kg (24st/330lbs)
Total weight:	10.98kg
Seat section only:	4.80kg
Base section only:	3.06kg
Actuator:	3.12 kg
Seat height (Min/Max):	7.8cm/46.5cm
Actuator power input:	13.2V : 1300mAh
Environmental protection:	IP66



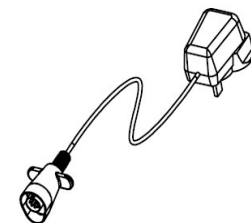
Hand Control (Battery)

Type:	Ni-MH
Output:	13.2V : 1300mAh
Internal protection:	Over Current
Environmental protection:	IP66



Battery Charger








AC Input:	100~240V : 60-50Hz
DC Output:	20V : DC250mA : 5.0VA
Internal protection:	Self resetting thermal cut-out
Environmental protection:	IP50



Double insulated Class II Equipment

This product is suitable for transporting in aircraft.

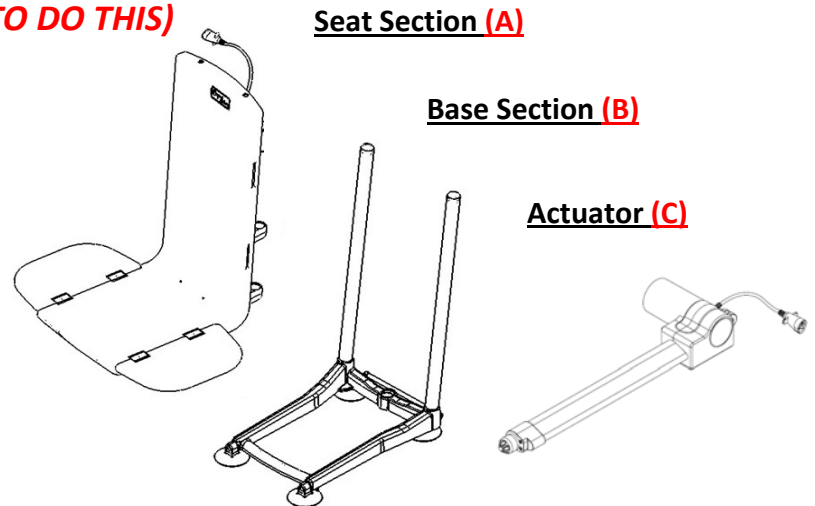
Symbols used on labels and instructions

 <p>Recyclable</p>  <p>Dispose correctly</p>  <p>Caution 13.2V DC</p>	 <p>Storage temperature range</p>  <p>Read instructions carefully</p>  <p>Direct current</p>	<p>IP X5 Resistance of a product to a spray jet</p> <p>IP 66 Sealed against the effects of shower</p>  <p>Battery state indicator</p>
--	---	---

How to remove the Actuator from your SAVER Bathlift – (Only to be carried out by trained AquaJoy personnel):

In the unlikely event that you have to remove your actuator this can be done by separating the SAVER into **three** sections. **PLEASE NOTE: ONLY REMOVE THE ACTUATOR IF YOU WOULD LIKE TO INSTALL AND REMOVE THE BATHLIFT IN 3 SECTIONS AND IF YOU HAVE BEEN TRAINED BY AQUAJoy by DRIVE ON HOW TO DO THIS)**

- Seat section including actuator (A)
- Base section (B)
- Actuator (C)



How to remove the actuator from the seat section: (Only follow these instructions if you would like to remove the actuator from the seat section)

- Release the Lower Actuator bracket (Fig 8) by pulling out the security pin then lifting the bracket upwards and opening.
- Pull the Actuator latch at the back of the seat (Fig 9) and lift the seat sufficiently to allow the actuator to disengage itself from the bracket. The actuator can now be removed from the seat section.

Fig 8



Fig 9



How to re-attach the Actuator to the SAVER Bathlift:

- Ensure the actuator latch at the back of the seat is open (**Fig 10**)
- Place the bottom end of the actuator in the locator hole on the bottom of the bathlift frame (**Fig 11**)
- Lift the latch on the top of the seat and lift the seat sufficiently to allow the Actuator to fit underneath the latch (**Fig 12**)
- Once the Actuator is in the locator at the bottom of the bathlift and under the latch at the top of the bathlift push down to close the latch
- Close the bottom bracket around the actuator and push it down to secure it in place (**Fig 13**)
- Insert the actuator holder securing pin. (**Fig 14**)
- **PLEASE ENSURE THAT THE ACTUATOR IS IN THE LOCATOR HOLE AND THAT BOTH THE ACTUATOR BRACKET AND THE ACTUATOR LATCH INCLUDING PIN ARE FULLY ENGAGED BEFORE OPERATION**

Fig 10



Fig 11



Fig 12

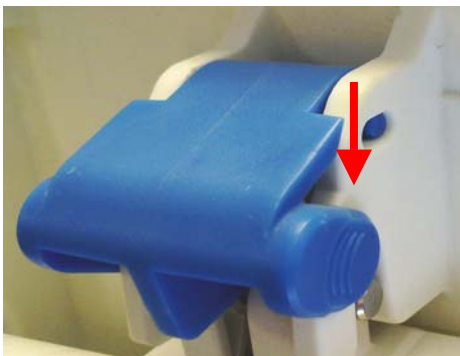


Fig 13

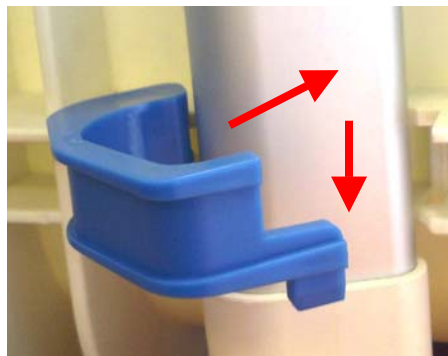


Fig 14



ACCESSORIES

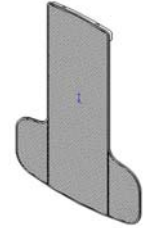
AquaJoy SAVER Seat Cover (AQJB0005)

The Seat Cover can be added to give extra comfort



AquaJoy SAVER Full Cover (AQJB0006)

The Full Cover provides extra comfort



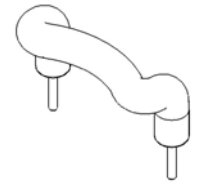
Swivel and Slide Unit (AQJA0012)

The Aquajoy Swivel and Slide transfer disk will help you to get on and off your bathlift easily and safely. It is ideal for people who have difficulties shuffling into the centre of the bathlift and allows them to slide and turn into the correct position to bathe.



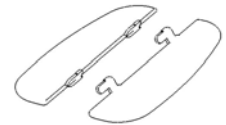
Headrest (AQJA0007)

The Aquajoy Headrest provides extra support and comfort whilst bathing.



Upper Body Support Wings (AQJA0009)

The upper support wings help stabilise the user by adding extra support to the sides of the backrest when bathing.



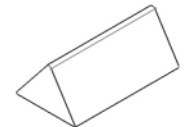
Pommel (AQJA0021)

The pommel can be fitted to support the user by maintaining the correct sitting position and preventing the user sliding forward.



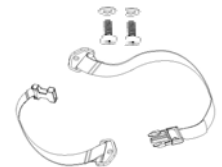
WEDGE CUSHION (AQJA0022)

The Aquajoy wedge cushion is used to support the legs, maintain the correct sitting position and prevent the user sliding forward.



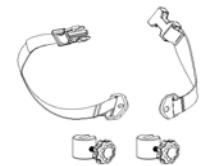
LAP HARNESS (AQJA0016L)

The lap harness can be added to give extra support to the users pelvic area and prevent sliding forward



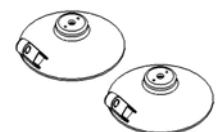
CHEST HARNESS (AQJA0016C)

The chest harness provides support and correct upper body posture as well as preventing the user pushing forward.



EXTRA MIDDLE SUCKERS (AQJA0008)

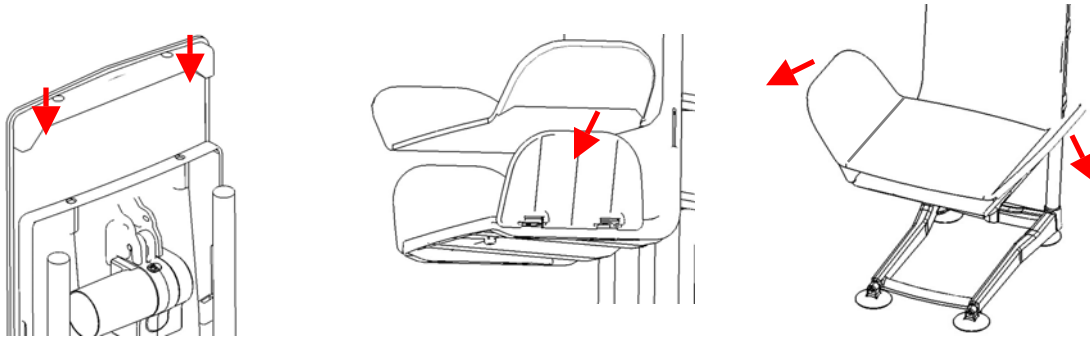
The middle suckers can be added to the Saver to provide extra suction when required. Especially useful with textured baths.



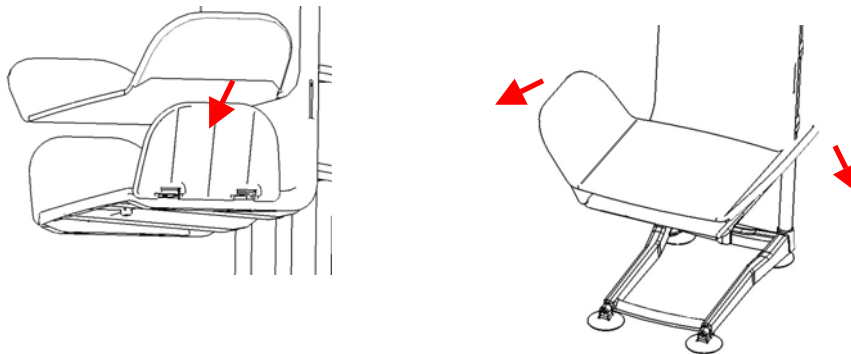
FITTING OF ACCESSORIES

TO FIT & REMOVE THE COVERS

If you have covermats for your Bathlift, please fit them before you bathe. To fit the one piece seatbase and backrest cover stretch the two plastic corners (on the reverse of your cover) over the two corners of your Bathlift backrest - just as you would with a fitted bed sheet then slip the two sideflaps of the seat into either side of the seat cover. PLEASE ENSURE FITTING IS SECURE BEFORE BATHING!

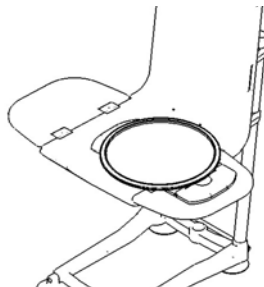


To fit the seat cover, place the cover onto the seat and slip the two sideflaps of the seat into either side of the cover – just as you would with a fitted sheet. Press the sideflaps down flat so that the cover is attached securely. PLEASE ENSURE FITTING IS SECURE BEFORE BATHING!



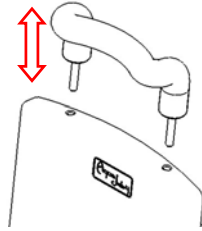
TO FIT & REMOVE THE SWIVEL & SLIDE

Simply place the swivel & slide onto the seat base (see diagram). It is the person's weight that holds the swivel and slide in place. Simply lift to remove.



TO FIT & REMOVE THE HEADREST

The Headrest provides extra support and comfort whilst bathing (see diagram). Place the headrest prongs into the two holes on top of the bathlift backrest. To remove, simply lift upwards and the headrest will release.



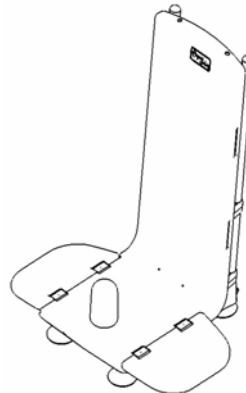
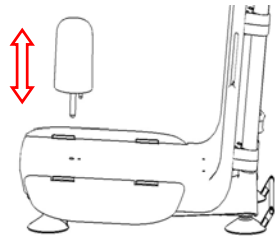
TO FIT & REMOVE THE POMMEL

Place the pommel prongs into the seat (base) locating holes and push down.

The pommel will now sit in place

Simply lift upwards and the pommel will release

If any holes are required to be punched into the AquaJoy Bathlift covers to accommodate the pommel, this will be completed on site by AquaJoy prior to dispatch.

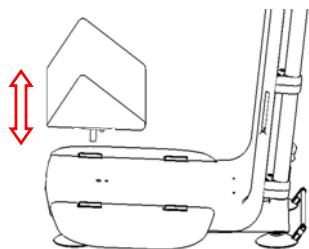


TO FIT & REMOVE THE WEDGE CUSHION

Place the wedge cushion prongs into the seat (base) locating holes and push down. The wedge cushion will now sit in place.

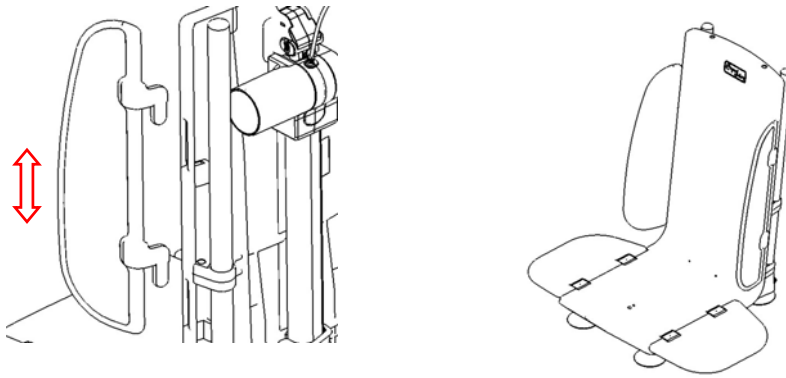
Simply lift upwards and the wedge cushion will release

If any holes are required to be punched into the AquaJoy Bathlift covers to accommodate the wedge cushion, this will be completed on site by AquaJoy prior to dispatch.



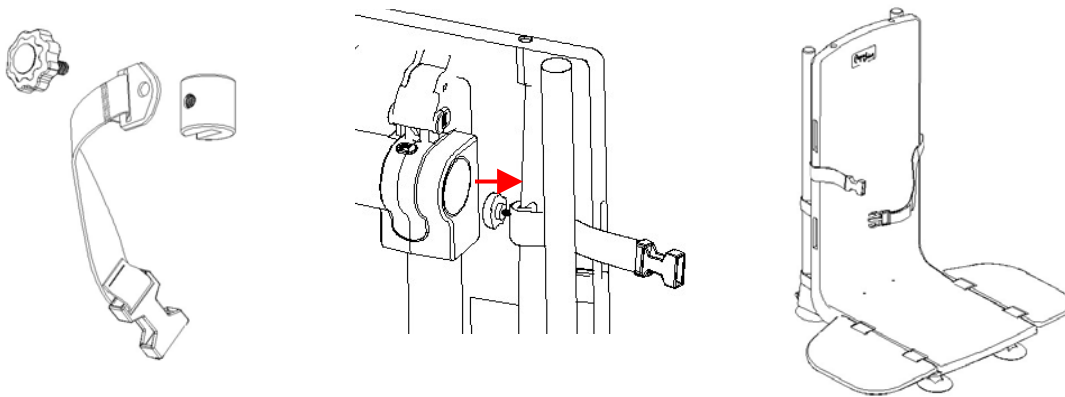
TO FIT & REMOVE THE WING SUPPORTS ON THE BACKREST

Simply locate the guides on the wings into the location points on either side of the backrest. Simply lift upwards from the location points and the wing supports will release.

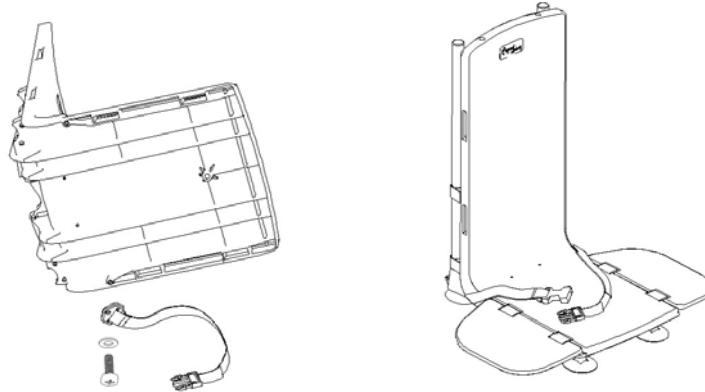


TO FIT THE CHEST & LAP HARNESS

The chest harness fixing bracket should be attached to the back of the backrest on the inside section of the backrest bracket. It is adjustable by sliding the bracket up and down the backrest so that the belt can be positioned at the most suitable height for the client. The harness is secured by screwing the knob into the fixing bracket as shown in the attached diagram. (The short part of the two piece chest harness should be attached to the side where the client is transferring for easy, quick release). The chest harness size is adjustable from the side by pulling the material through the buckle (as with a belt). To secure the user, simply insert the chest harness clip into the buckle.



The lap harness should be attached to the rear underside of the seat base. (The short part of the two piece lap harness should be attached to the side where the client is transferring for easy, quick release). The harness is secured by screwing the knob into the boss insert as shown in the attached diagram. The lap harness size is adjustable from the side by pulling the material through the buckle (as with a belt). To secure the user, simply insert the lap harness clip into the buckle.



Warranty

AquaJoy by Drive guarantees this product for three years on the frame and 1 year on the battery hand control, charger and accessories. For extended warranties and maintenance packages, please contact AquaJoy by Drive.

The guarantee is given against defects in material and workmanship for parts and labour. The guarantee is not valid in the case of fair wear and tear, willful damage, common neglect, misuse or unauthorized alteration or repair by unqualified persons.

The following statements do not affect the consumer's statutory rights. This product is sold on the understanding that in the event of any defect of manufacture or material appearing within three years of the date of receipt of this product (1 year for the battery hand control, charger and accessories), the defect will be rectified providing that:

- (i) Reasonable evidence is provided (e.g. purchase invoice, delivery note) that the product was not purchased three years prior to the date of the claim (1 year for the battery hand control, charger and accessories).

The defect is not attributable to accidental damage (in transit or otherwise), misuse or unauthorized repair