



OPERATING INSTRUCTIONS

AQUAJoy PREMIER PLUS

AND

AQUAJoy JUNIOR PLUS

First point of contact is always as follows unless supplied by a Local Authority or Dealer.

**AQUAJoy by DRIVE
CONSETT BUSINESS PARK
CONSETT
COUNTY DURHAM
DH8 6BN**

**TEL: (0044) 01207 501555
FAX: (0044) 01207 599789
Email: info@aqua-joy.com
www.aqua-joy.com**

QUICK CHECK LIST

CHARGING YOUR HANDCONTROL

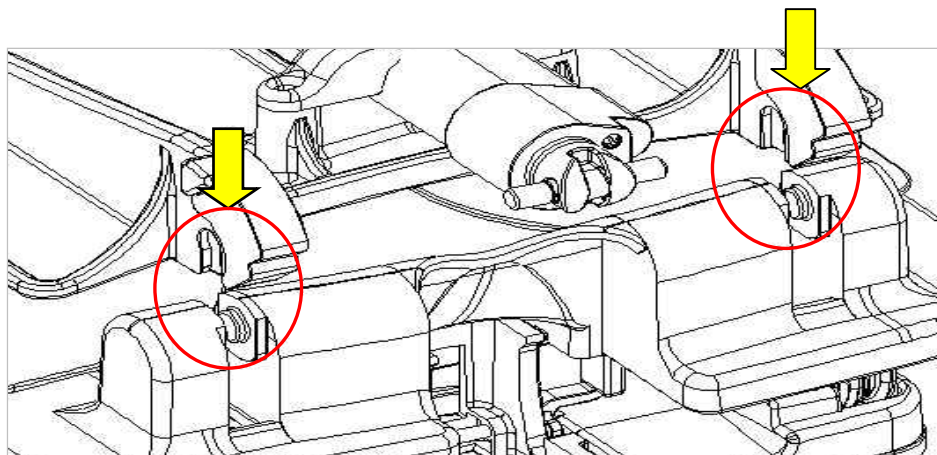
Before you first use your Bathlift, please charge your battery handcontrol for 12 hours. Please continue to charge your battery hand control after every bath or for at least 12 hours per week. You cannot overcharge your battery hand control. If the battery hand control indicator light flashes red it means you do not have sufficient charge to use your Bathlift. Please recharge immediately. The battery handcontrol indicator light will turn amber when charging is in progress. The charger indicator light will turn red when charging is in progress. Please charge your battery handcontrol on a hard, flat surface at normal room temperature and do not cover.

SIDEFLAP DIVERTERS

If you have handles on your bath, please ensure that you attach the sideflap diverters (plastic strips packed with your Bathlift) to your bath handles. Failure to do this may cause obstruction to the mechanism and affect your warranty.

INSTALLATION

When connecting the Bathlift backrest to the seat base, please ensure that the grooves and pegs are correctly aligned and completely flat. Press down onto the grooves before lifting the backrest.



SUCTION CUPS

Please ensure that your Bathlift suction feet are securely sticking to the bottom of your bath. If you have dimples or ripples on your bath, you may need to purchase additional middle suction feet to ensure safe and secure adhesion to the bath. Please check that your suction feet are sticking to the bottom of your bath every time before you have a bath.

Dear **Customer**

Thank you for purchasing your AquaJoy Premier Plus Bathlift.

The **AQUAJoy PREMIER PLUS BATHLIFT** has been designed to help you bathe in comfort. The **AQUAJoy PREMIER PLUS BATHLIFT** can be used in the home, in multi user environments and by healthcare professionals. If you are unable to take a bath on your own, use the Bathlift only under supervision.

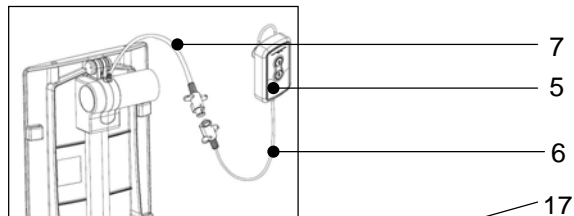
Please read the operating instructions carefully before using your Bathlift and please follow all instructions, particularly the safety instructions at all times.

The AquaJoy Premier Plus comes with a three year warranty (excluding Battery Hand Control, Cover Mat & Charger which carry a one year warranty - unless otherwise negotiated). The warranty begins on the day of purchase.

The following components are part of the **AQUAJoy PREMIER PLUS**.

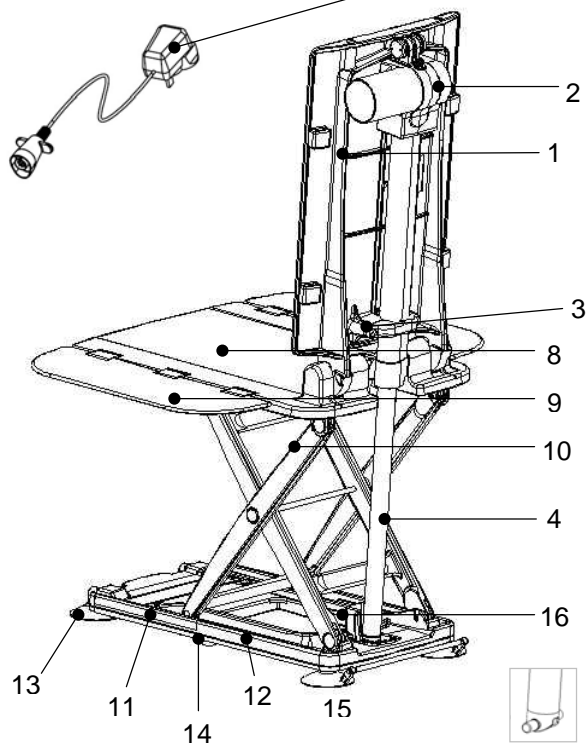
Back Frame

1. Seat back
2. Actuator
3. Actuator holder
4. Spindle shaft
5. Battery hand control
6. Hand control cable
7. Actuator cable



Complete Seat(base)

8. Seat base
9. Side flaps
10. Scissor parts
11. Slider
12. Base plate
13. Front suction cups
14. Middle suction feet
15. Rear suction cups
16. Tilting structure
17. Charger



Safety Instructions

The AquaJoy Premier Plus Bathlift may only be used to assist one person getting in and out of a bath at a time. It should not be used for climbing in and out, up or down, as a support or lifting platform outside of the bath. Please note the bathlift is not a toy and children should not be allowed to play with the Bathlift.

If you are unable to take a bath on your own, use the Bathlift only under supervision.

Before taking a bath, carry out a trial run to make sure the Bathlift functions correctly.

Always check the Bathlift suction feet are securely sticking to the bottom of the bath.

Always ensure and check that the Bathlift backrest pegs are aligned correctly with the Bathlift base grooves and pressed down flat. (see page 6 & 7)

Always follow the charging instructions for your battery handcontrol.

Always check the water temperature before bathing.

The use of excessive amounts of bathing oils or salts will require the bathlift to be cleaned more frequently.

Never reach between the base plate and the seat (hazard of hand becoming trapped in the scissor lifting mechanism).

Always check there are no obstructions in the mechanism before use.

Please ensure the handcontrol retention clip is always connected to the actuator during use.

Always disconnect the handcontrol when the backrest is folded flat.

When installing your AquaJoy Premier Plus Bathlift, please ensure you place it at the opposite end to the taps.

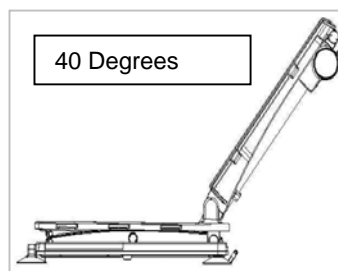
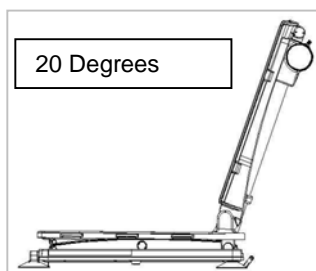
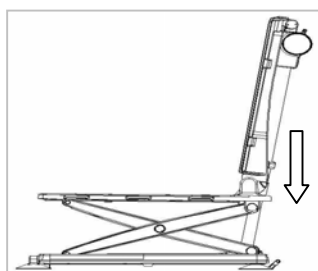
If you have handles on your bath, please ensure you attach the sideflap diverters (plastic strips packed with your Bathlift) to your bath handles. Failure to do this may cause an obstruction to the mechanism and will affect your warranty. If the Bathlift sideflaps become trapped under your bath handle, STOP, press the down button on your handcontrol, make sure the sideflap is no longer trapped under the handle and press the up button on your handcontrol.

Only use the AquaJoy Premier Plus Bathlift with the AquaJoy Premier Plus battery hand control supplied.

Only use the supplied AquaJoy Premier Plus battery charger to charge the supplied AquaJoy Premier Plus battery hand control (and never recharge the AquaJoy Premier Plus battery hand control using a different charger)

Please only charge your battery handcontrol on a hard, flat surface at normal room temperature and do not cover.

When lifting your Bathlift backrest up after you have connected the backrest, always ensure it goes back into the fully reclined position before operating.



BATTERY AND CHARGER

The battery hand control must not be thrown into a fire or stored in the vicinity of a fire. Dispose of old battery hand controls in the correct manner.

Do not open the battery hand control.

After the first twelve hour charge, please charge your battery handcontrol continuously after every bath or for at least 12 hours per week.

Only use the AquaJoy Premier Plus Bathlift with the AquaJoy Premier Plus battery hand control supplied.

Only use the supplied AquaJoy Premier Plus battery charger to charge the supplied AquaJoy Premier Plus battery hand control (and never recharge the AquaJoy Premier Plus battery hand control using a different charger)

Do not charge your battery hand control inside the bathroom.

Only charge your battery handcontrol on a hard flat surface at normal room temperature and do not cover.

DISPOSAL

On expiry of service life (10,000 cycles) battery – driven Bathlifts, battery hand controls, chargers, accessories and packing material should be disposed of correctly.

Individual parts can be separated and disposed of according to the type of material. The AquaJoy Premier Plus does not contain dangerous materials. However, the battery hand control should not be disposed of via household rubbish.

Serial Number Label

You will find all the main technical data on the AQUAJEY PREMIER PLUS serial number label

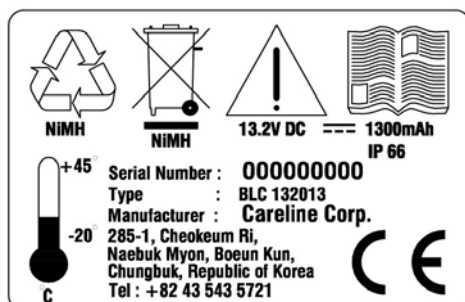
Actuator label



Seat label



Battery hand control label



Environmental Conditions for Use, Storage, and Transport

Use: An ambient temperature range of 50 F° to 104F° (+10 C° to +40C°).

A relative humidity range of 30% to 75%.

An atmospheric Pressure range of 700hPa to 1060hPa

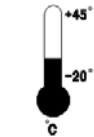
Storage and Transport:

An ambient temperature range of -31F° to 122F° (-35 C° to 50C°).

A relative humidity range of 10% to 100%.

An atmospheric Pressure range of 300hPa to 1060hPa Less than 30days at 50°C

What do the symbols on the labels mean?



Storage temperature range



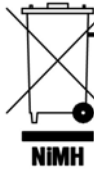
Caution 13.2v DC



Read instructions carefully



Recyclable



Dispose correctly

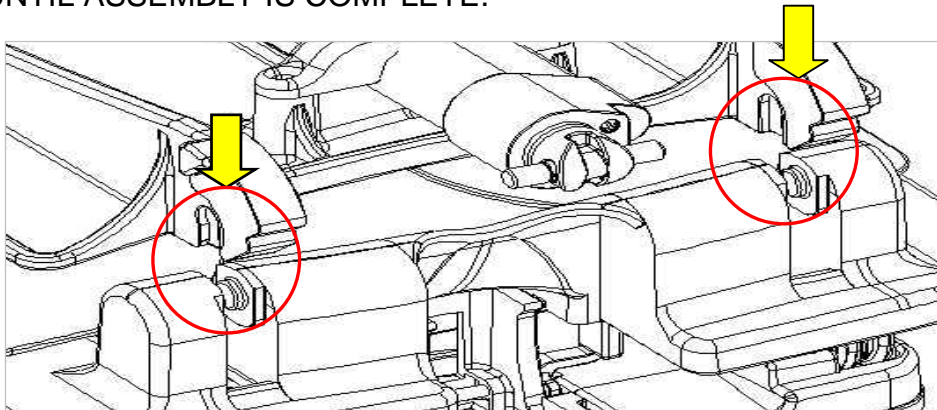
ASSEMBLY / INSTALLATION

HOW TO INSTALL YOUR AQUAJOY PREMIER PLUS BATHLIFT

PLEASE NOTE: PLEASE ENSURE WHEN INSTALLING YOUR AQUAJOY PREMIER PLUS BATHLIFT THAT YOU PLACE IT AT THE OPPOSITE END TO THE TAPS.

PLEASE NOTE: WHEN CONNECTING THE BATHLIFT BACKREST TO THE SEAT BASE, **PLEASE ENSURE THAT THE GROOVES AND PEGS ARE CORRECTLY ALIGNED.** (SEE PICTURE BELOW)

PLEASE ENSURE THE BATHLIFT BACKREST IS COMPLETELY FLAT (NOT ON ANY ANGLE) AS PICTURED BELOW AND PRESS IT DOWN ONTO THE GROOVES BEFORE LIFTING THE BACKREST. DO NOT ATTACH COVERS UNTIL ASSEMBLY IS COMPLETE.



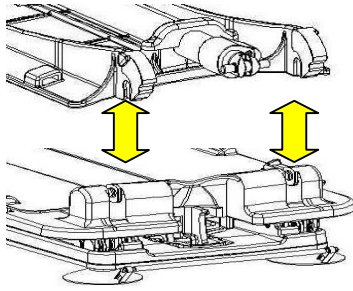


Image 1 : Alignment Direction

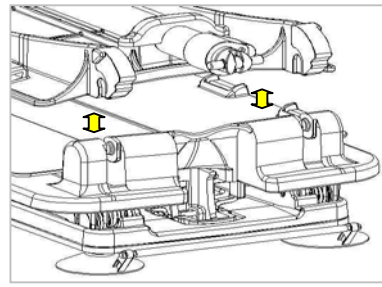


Image 2 : Closer look

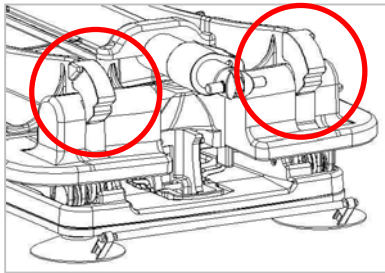


Image 3 : Fully Engaged

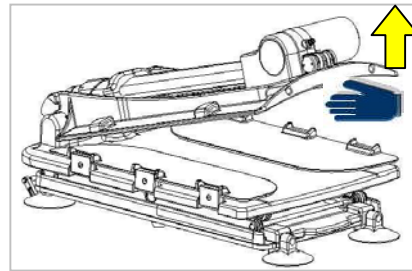
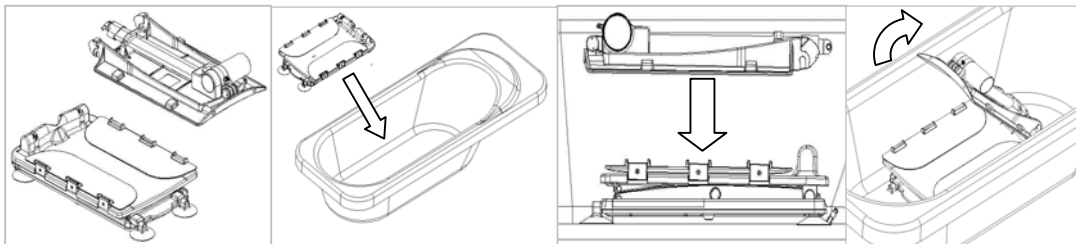


Image 4 : Lift up front centre

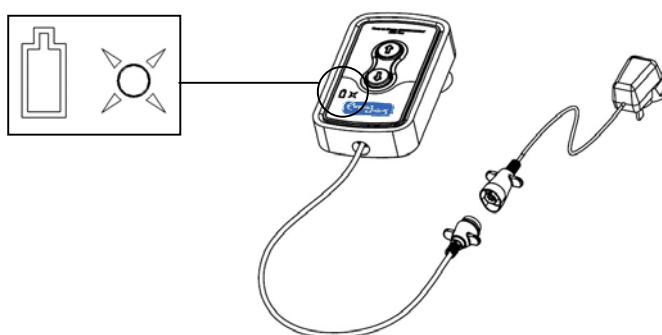
INSTALLING YOUR BATHLIFT



- Please ensure your bath tub is clean and dry before installing your bathlift.
- Simply remove the bathlift parts separately from the box (remove backrest first and then the seat (base)).
- Place the seat (base) onto the flat part of the bath. Please ensure that there is sufficient space for the bathlift to fully recline. NB: Please ensure that your Bathlift suction feet are securely sticking to the bottom of your bath. If you have dimples or ripples on your bath, you may need to purchase additional middle suction feet to ensure safe and secure adhesion to the bath. Please check that your suction feet are sticking to the bottom of your bath every time before you have a bath.
- Take the backrest and simply place it flat on top of the seat, matching the grooves on the backrest to the grooves on the seat (See earlier point).
- Simply lift the backrest up until it is in the fully reclined position.

PLEASE NOTE: BEFORE YOU FIRST USE YOUR AQUAJoy PREMIER PLUS / JUNIOR PLUS BATHLIFT, PLEASE CHARGE YOUR BATTERY HAND CONTROL FOR **TWELVE HOURS**. AFTER YOUR FIRST USE, PLEASE CONTINUE TO CHARGE YOUR BATTERY HAND CONTROL AFTER EVERY BATH. YOU CANNOT OVERCHARGE YOUR BATTERY HAND CONTROL. IF THE HAND CONTROL INDICATOR LIGHT FLASHES RED IT MEANS YOU DO NOT HAVE SUFFICIENT CHARGE TO USE YOUR BATHLIFT. PLEASE RECHARGE IMMEDIATELY. THE HANDCONTROL INDICATOR LIGHT WILL TURN AMBER WHEN CHARGING IS IN PROGRESS. THE CHARGER INDICATOR LIGHT WILL TURN RED WHEN CHARGING IS IN PROGRESS.

HOW TO CHARGE YOUR AQUAJoy PREMIER PLUS BATHLIFT



If already connected, separate the cable of the battery hand control from the bathlift (backrest) cable. If not connected, simply remove your battery hand control from the packaging.

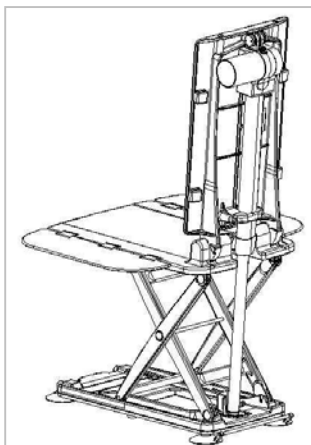
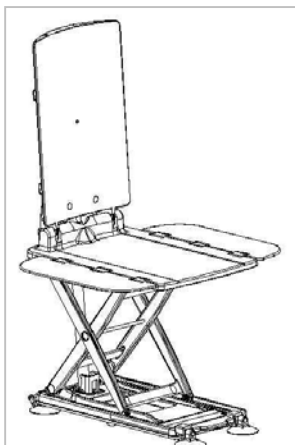
For safety reasons, please ensure that you do not charge your battery hand control in your bathroom.

Connect the battery hand control cable to the charger.

Insert the charger plug into the mains. Please leave your battery hand control to charge for approximately 12 hours when you first receive your Bathlift. This will provide approximately 15 lifts, up and down (at 80kg) on your bathlift. You cannot over charge your battery hand control. If you are unable to take a bath on your own, please use the Bathlift only under supervision.

We recommend that you charge your battery hand control continuously after every bath. If you wait more than one week between baths, we recommend that you charge your battery hand control before bathing or at least for 12 hours per week. The hand control indicator light will turn AMBER to let you know it is being charged. The charger indicator light will turn red to let you know charging is in progress.

BATHING WITH YOUR AQUAJOY PREMIER PLUS



HOW TO BATHE WITH YOUR AQUAJOY PREMIER PLUS BATHLIFT

After easily installing your **AQUAJOY PREMIER PLUS BATHLIFT** attach the connector of the fully charged battery hand control to the connector on the back of the backrest.

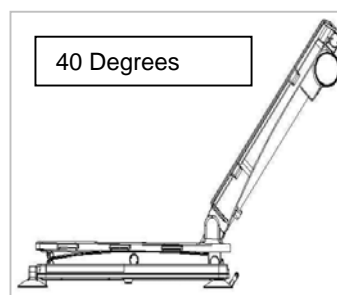
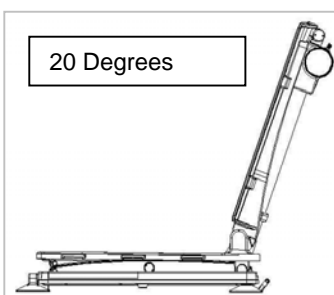
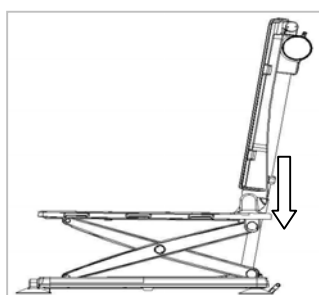
Take hold of the battery hand control and press the “up” button. Continue to press and the bathlift will rise up. When the bathlift becomes flush with the top level of your bath, release your finger from the “up” button and the bathlift will stop moving. Sit on the sideflap of the bathlift seat (this should be resting flat on the side of your bath) with your legs against the bath. Slide / shuffle over to the middle of the seat and lift one leg at a time over the side of the bath. Swivel round so that you are sitting in the correct position for comfortable bathing. (If you have problems sliding/shuffling over, why not try our **“AQUAJOY SWIVEL & SLIDE ACCESSORY”**.)

By pressing the “down” button on your hand control the bathlift will lower you to your required bathing position.

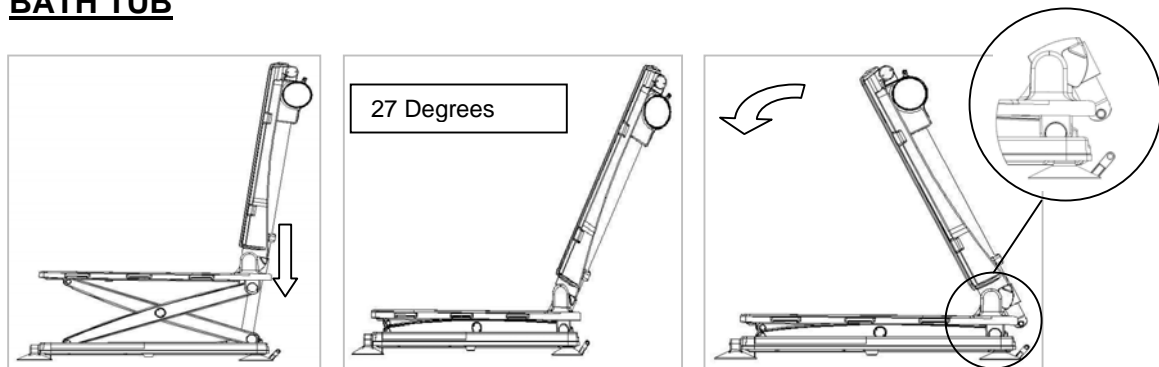
The bathlift will take you safely and comfortably to the bottom of the bath. At the bottom, you will be sat at a 20 degree angle. If you want to recline when you are at the bottom of the bath, simply continue to press the “down” button and the bathlift backrest will recline. (You can recline up to a maximum of 40 degrees)

You can stop reclining at any time if you simply stop pressing the “down” button.

When you have finished bathing, simply press the “up” button on your battery hand control. Continue to press the “up” button until the bathlift is flush with the top of your bath. Please make sure the sideflap rests flat on the side of the bath when transferring off the Bathlift.



HOW TO REMOVE YOUR AQUAJOY PREMIER PLUS BATHLIFT FROM YOUR BATH TUB



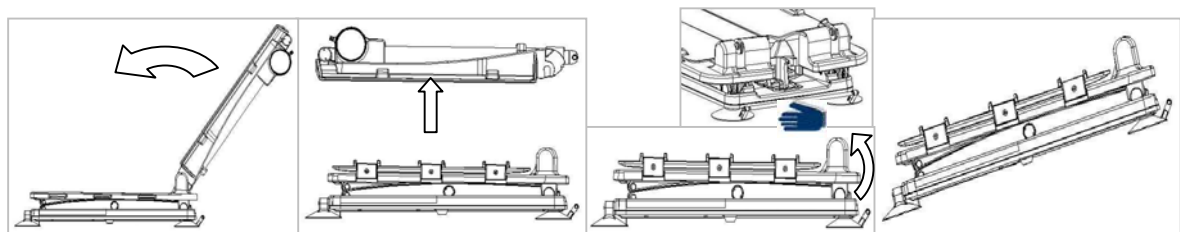
Empty the water from the bath.

Pressing the “down” button on the hand control, take the bathlift to its lowest position in the bath, continue to press the down button until the backrest reaches its’ fully reclined position.

Take hold of the two side flaps and fold them inward onto the seat.

Take hold of the backrest, pushing it forward so that it lies flat onto the seat.

REMOVING YOUR BATHLIFT



With the backrest folded forward onto the bathlift seat, simply detach the backrest from the base by lifting it upwards (as above). The backrest grooves will detach from the seat (base) grooves.

To remove the seat (base), simply place one hand on the lifting bar at the rear of the base and lift to release the bathlift from the bath. Continue to lift and the suction feet at the front of the bathlift will release automatically. Place your other hand on the front of the bathlift and lift.

Continue to lift your bathlift base out of the bath and you can now store your bathlift away.

SERVICE AND MAINTENANCE

The **AQUAJoy PREMIER PLUS BATHLIFT** requires minimal maintenance /servicing. Please check that everything is in good working order at regular intervals (at least once every month). The Bathlift actuator is tested to last 10,000 cycles if used and maintained correctly in the environment for which it has been designed. However, in order to maximise the life of the Bathlift and to ensure optimum reliability, performance and safety, AquaJoy by Drive recommends that you replace your bathlift handcontrol, actuator and charger in accordance with your product warranty.

ROUTINE CHECK LIST

**TO CHECK THAT THE FOLLOWING PARTS ARE IN GOOD WORKING ORDER,
PLEASE FOLLOW THE PROCEDURES BELOW:-**

BATTERY HANDCONTROL

Attach your battery hand control to your bathlift, press the Up button and the bathlift should go up. Press the Down button and the bathlift should go down. When you are pressing either button, if the indicator light flashes red on the hand control, you need to recharge your battery hand control immediately. An amber light will show when charging is in progress. If no light appears, please try a different charger (if available). If the problem continues and still no light appears, please contact your supplier.

CHARGER

Attach your charger to your battery hand control. If the hand control has an amber light showing, leave the charger in place. If the hand control shows no light, please try a different charger (if available). If the hand control then turns amber, contact your supplier regarding your original charger. If you have no light on your charger, contact your supplier.

ACTUATOR

Attach your hand control to your Bathlift and press the up button to check the upward travel of the Bathlift and press the down button to check the downward travel of the Bathlift. If the Bathlift will not move up or down, firstly try a different hand control (if available). If the problem still persists, please contact your supplier regarding your Bathlift actuator. The Amber LED light will only show when charging is in progress. The LED light will flash red to let you know that your handcontrol requires charging when the handcontrol and actuator are connected together and the Bathlift is in operation.

SUCTION CUPS

Please ensure that your Bathlift suction feet are sticking securely to the bottom of your bath. If you have dimples or ripples on your bath, you may need to purchase additional middle suction feet to ensure safe and secure adhesion to the bath. Please check that your suction feet are sticking to the bottom of your bath every time before you have a bath and clean away any residue from your suction feet.

OPERATION OF BATHLIFT

Attach your hand control to your bathlift. Press the down button to check the safe downward travel (paying special attention to the scissor mechanism under the bathlift seat) and press the up button to check the safe upward travel (paying special attention to the scissor mechanism under the bathlift seat). If there is any obstruction, please remove. If there is any problem, please contact your supplier for further advice. PLEASE ALSO ENSURE THE BATHLIFT IS REGULARLY CLEANED TO ENSURE SAFE OPERATION (at least once per week). The actuator is tested to last 10,000 cycles if used and maintained correctly in the environment for which it has been designed. However, in order to maximise the life of the Bathlift and to ensure optimum reliability, performance and safety, AquaJoy by Drive recommends that you replace your bathlift handcontrol, actuator and charger in accordance with your product warranty.

CLEANING – BATHLIFT & COVERS

To clean the bathlift, simply use a normal household cleaner and a damp cloth. The AquaJoy Premier Plus bathlift can be used with or without covers. The standard covermats can be easily removed and washed in your washing machine up to a maximum temperature of 60°. We recommend that you wash your cover mats after every two to three baths if possible to avoid any dirt or residue building up. The optional gel filled cover mat set can be easily removed & washed with soapy water.

"Medical Devices must be examined at statutory intervals in accordance with Council Directive 93/42/EEC of 14 June 1993"

AquaJoy by Drive recommends that your Bathlift is inspected at least once annually by either your supplier or a suitably qualified person who has attended an approved AquaJoy training course.

If required, AquaJoy by Drive can provide the above inspection with an annual service contract. Please contact our Customer Services Department for further details (see front page for contact details).

There are no user serviceable parts in the AquaJoy Premier Plus Bathlift and repairs or servicing must only be carried out by your supplier or other authorised person who has attended an approved AquaJoy training course.

I HAVE A PROBLEM WITH MY BATHLIFT.....

1. IS YOUR BATTERY HAND CONTROL FULLY CHARGED? IS THERE A RED LIGHT SHOWING ON YOUR BATTERY HAND CONTROL WHEN YOU ARE PRESSING THE UP/DOWN BUTTON?

PLEASE CHECK YOUR HANDCONTROL – GREEN / RED LIGHT SYSTEM

Attach your charger to your battery hand control. If the hand control has a red light showing, leave the charger in place and the light should turn to green. If the light remains red, please try a different charger. If the hand control then turns green, contact your supplier regarding your original charger. If no light appears, please try a different charger. If the problem continues and still no light appears, please contact your supplier.

PLEASE CHECK YOUR HANDCONTROL – AMBER LIGHT SYSTEM

Attach your charger to your battery hand control. If the hand control has an amber light showing, leave the charger in place to charge. NB: The light will remain amber to indicate charging is in progress and will not turn to red. If no light appears, please try a different charger. If the problem continues and still no light appears, please contact your supplier.

2. HOW DO I CHARGE MY BATTERY HAND CONTROL?

If already attached to the bathlift, detach the hand control. The hand control is attached to the bathlift by the yellow and red adaptors at the end of the cable. Separate these / pull them apart and the hand control will detach. Now, attach the supplied black AquaJoy Premier Plus charger adaptor to the AquaJoy Premier Plus hand control in the same way and plug the three point plug into a mains socket. Now, turn the power on at the mains. There should be a red light showing on your charger and an amber light on your hand control.

WHEN YOU FIRST RECEIVE YOUR BATHLIFT AND REGARDLESS OF THE COLOUR OF THE LED INDICATOR LIGHT ON YOUR BATTERY HAND CONTROL, PLEASE CHARGE YOUR BATTERY HAND CONTROL FOR TWELVE HOURS. THE HANDCONTROL INDICATOR LIGHT WILL TURN AMBER WHEN CHARGING. THIS WILL ENSURE THE BATTERY HAND CONTROL IS SET FOR NORMAL USE. THE CHARGER INDICATOR LIGHT WILL TURN RED WHEN CHARGING. AFTER THE FIRST TWELVE HOUR CHARGE, PLEASE CHARGE YOUR BATTERY HAND CONTROL AFTER EVERY BATH OR FOR AT LEAST 12 HOURS PER WEEK. IF THE INDICATOR LIGHT ON THE HAND CONTROL FLASHES RED, PLEASE CHARGE YOUR BATTERY HAND CONTROL IMMEDIATELY. ONLY CHARGE YOUR BATTERY HAND CONTROL ON A HARD FLAT SURFACE AND DO NOT COVER.

3. CAN I / HOW DO I WASH MY COVERMATS?

The **AQUAJoy PREMIER PLUS BATHLIFT** can be used with or without covers. The standard covermats can be easily removed and washed in your washing machine up to a maximum temperature of 60°. The covermats cannot be used in a tumble dryer, please hang them up to dry. The optional gel filled cover mat set can be easily removed & washed with soapy water. We recommend that you wash your cover mats after every two to three baths if possible to avoid any dirt or residue building up.

4. MY FRONT / REAR TWO SUCTION FEET DO NOT SEEM TO BE STICKING TO THE BOTTOM OF THE BATH?

Some baths have dimples or ripples on the base of the bath. These ripples normally appear up to half way up the base of the bath. If your front two suction feet are not sticking securely to the bottom of the bath, please contact your supplier to purchase extra middle suction feet. These are simply screwed into the two middle rest feet which are already on the underside of the Bathlift. If you add the two extra middle suction feet, there should be sufficient suction with these middle two feet and the rear two feet. Please check that your suction feet are sticking to the bottom of your bath every time before you have a bath and clean away any residue from your suction feet.

5. CAN I USE EMOLLIENTS, AQUEOUS CREAMS, OILS IN THE BATH WITH MY BATHLIFT?

Yes, however, please ensure that you thoroughly rinse / clean away any residue from the base of the bath and the suction feet. Please check that your suction feet are sticking to the bottom of your bath every time before you have a bath and ensure that all residues are cleaned away after every bath. We also recommend that you wash your covermats more often – after every bath if possible.

6. IF I LEAVE MY BATTERY HAND CONTROL ON CHARGE WILL I DAMAGE IT?

No, charge your battery hand control for 12 hours when you first receive your bathlift. Then after every bath, leave the hand control on charge. You cannot overcharge your battery hand control. A fully charged battery will provide approximately fifteen full lifts up and down. Only charge your battery handcontrol on a hard flat surface at normal room temperature and do not cover.

7. HOW DO I CLEAN MY BATTERY HAND CONTROL?

To clean inside the foam of your battery hand control simply remove the two screws at the back of the hand control and pull the foam away from the control box. Clean as required and simply replace your battery hand control back inside the foam and insert the screws as previous.

8. DO I NEED TO USE MY SIDEFLAP DIVERTERS? (Grey/White plastic strips packed with every bathlift)

Yes, if you have handles on your bath, please ensure you attach the side flap diverters to your bath handles. Failure to do this may cause an obstruction to the mechanism and will affect your warranty. If the bathlifts side flaps become trapped under your bath handles, stop, press the down button on your hand control, make

sure the side flap is no longer trapped under the handles and press the up button on your hand control.

TECHNICAL DATA

Length of seat: 580 mm (22.8 inches)
Width of seat with extended seat side flaps: 686 mm (27 inches)
Width of seat with seat side flaps folded in: 390 mm (15.3 inches)
Height of seat in its lowest position: 90 mm (3.5 inches)
Height of seat in its highest position: 465 mm (18.3 inches)
Depth of seat measured from
Backrest to front seat edge: 490 mm (19.3 inches)
Height of backrest: 604 mm (23.8 inches)
Width of backrest: 340 mm (13.4 inches)
Carrying capacity: 170kgs (26.7 stone)
Total Weight without battery: 13.64kg (30 lb)
Weight of seat: 7.70kg (16.94 lb)
Weight of sideflaps: 0.94kg (2.07 lb)
Weight of backrest: 5kg (11 lb)
Weight of battery hand controller: 670g
Duration of stroke (80 kg load): Up approx. 50sec, Down approx. 35sec
Operating voltage: 13.2V DC
Maximum current consumption: 5.8A
Nominal Input: 13.2V DC
Motor noise with no load : approx. 50dB
(according to DIN 3746)
Medical equipment type B
Class Protection: IP 66
Duty cycle: Max. 5%, Max. 3min./hour

Battery: 13.2V 1300mAh(Ni-MH)
Battery Charger
Input : 100-240 ~ 60/50Hz 138mA
Output : 20V DC 250mA 5.0VA
Weight : UK 84g/ EU 78g/ USA 78g
Charging time with flat battery : approx. 12h

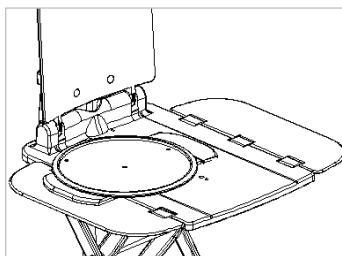
ACCESSORIES

TO FIT AND REMOVE THE COVERS

If you have covermats for your Bathlift, please fit them before you bathe. To fit the seatbase cover, place the cover onto the seat and slip the two sideflaps of the seat into either side of the cover – just as you would with a fitted sheet. Press the sideflaps down so that the cover is attached securely. PLEASE ENSURE FITTING IS SECURE BEFORE BATHING!

To fit the backrest cover, stretch the four plastic corners (on the reverse of your cover) over the four corners of your bathlift backrest.

SWIVEL AND SLIDE UNIT

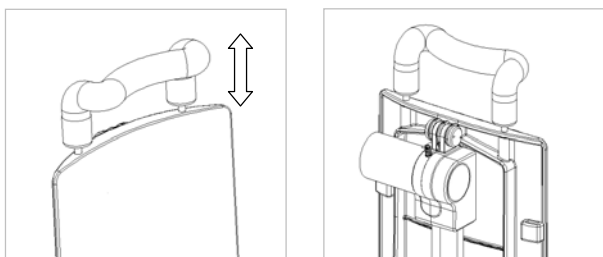


The AquaJoy Premier Plus transfer disk will assist you to get on and off your bathlift easily and safely. It is ideal for people who have problems shuffling on and off the bathlift and allows them to slide and turn into the middle of the bathlift seat. Simply place the swivel and slide for your preferred position onto the seat base.

CARRYING BAG

The Carrying bag is the ideal and easy way to store your bathlift. Or if you go on holiday, why not take your bathlift with you!

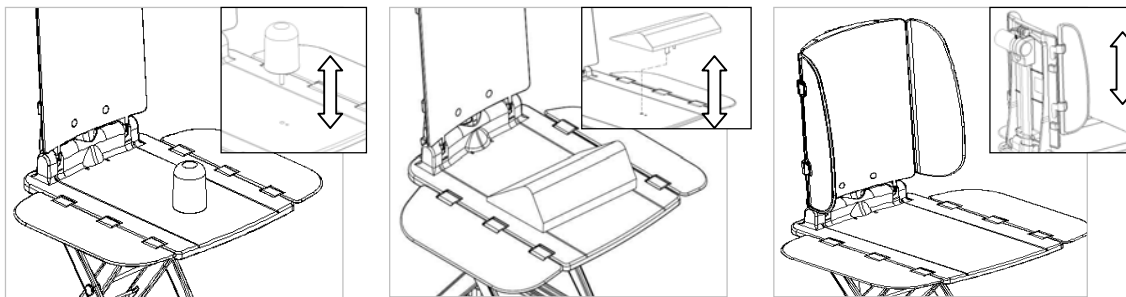
HEADREST



The AquaJoy Premier Plus Headrest provides extra support and comfort whilst bathing.

To fit the headrest, simply place the headrest prongs into the two holes on top of the Bathlift backrest. To remove simply lift upwards and the headrest will release.

AQUAJoy JUNIOR PLUS BATHLIFT (FOR CHILDREN & YOUNG ADULTS)



TO FIT THE POMMEL

Place the pommel prongs into the seat (base) locating holes and push down. The pommel will now sit in place. If any holes are required to be punched into the AquaJoy Bathlift covers to accommodate the pommel or wedge, this will be completed on site by AquaJoy Prior to dispatch.

TO REMOVE THE POMMEL

Simply pull upwards and the pommel will release

TO FIT THE WEDGE CUSHION

Place the wedge cushion prongs into the seat (base) locating holes and push down. The wedge cushion will now sit in place.

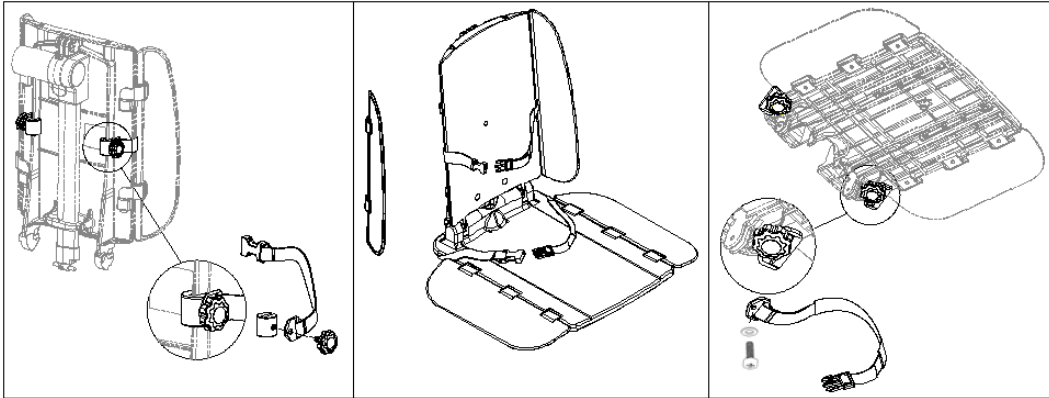
If any holes are required to be punched into the AquaJoy Bathlift covers to accommodate the pommel or wedge, this will be completed on site by AquaJoy Prior to dispatch.

TO FIT THE WING SUPPORTS ON THE BACKREST

Simply locate the guides on the wings into the location points on either side of the backrest.

TO REMOVE THE WING SUPPORTS ON THE BACKREST

Simply pull upwards from the location points and the wing supports will release.

TO FIT THE CHEST & LAP HARNESS

The chest harness fixing bracket should be attached to the back of the backrest. It is adjustable by sliding the bracket up and down the backrest so that the belt can be positioned at the most suitable height for the client. The harness is secured by screwing the knob into the fixing bracket as shown in the above diagram. (The short part of the two piece chest harness should be attached to the side where the client is transferring for easy, quick release). The chest harness size is adjustable from the side by pulling the material through the buckle (as with a belt). To secure the user, simply insert the chest harness clip into the buckle.

The lap harness should be attached to the rear underside of the seat base. (The short part of the two piece lap harness should be attached to the side where the client is transferring for easy, quick release). The harness is secured by screwing the knob into the boss insert as shown in the above diagram. The lap harness size is adjustable from the side by pulling the material through the buckle (as with a belt). To secure the user, simply insert the lap harness clip into the buckle.

WARRANTY

AquaJoy by Drive guarantees this product for three years on the frame, and actuator and 1 year on the battery hand control, charger and accessories from date of purchase (unless otherwise negotiated). For extended warranties and maintenance packages, please contact AquaJoy by Drive.

The guarantee is given against defects in material and workmanship for parts and labour. The guarantee is not valid in the case of fair wear and tear, willful damage, common neglect, misuse or unauthorized alteration or repair by unqualified persons. Discoloration of the cover mats is caused by normal wear and tear and is excluded from the warranty.

The following statements do not affect the consumer's statutory rights. This product is sold on the understanding that in the event of any defect of manufacture or material appearing within three years of the date of receipt of this product (1 year for the battery hand control, charger and accessories – unless otherwise negotiated), the defect will be rectified providing that:

- (i) Reasonable evidence is provided (e.g. purchase invoice, delivery note) that the product was not purchased three years prior to the date of the claim (1 year for the battery hand control, charger and accessories – unless otherwise negotiated).
- (ii) The defect is not attributable to accidental damage (in transit or otherwise), misuse or unauthorized repair.